

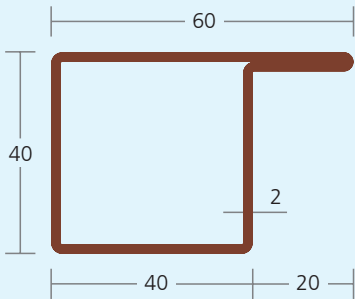


The new profile series Sequoia**steel** from Corten

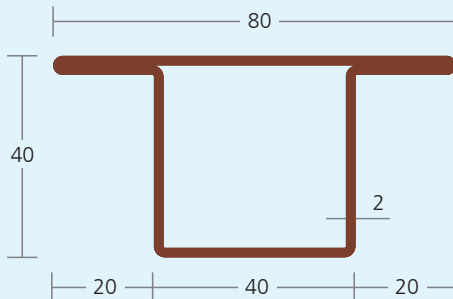
We have discovered the attractive material „Corten“ for our creative construction kit WP PROFILES. With the unique surface oxidation and at the same time permanent weather resistance, Corten steels offer great application possibilities.

Whether works of art, famous architectural buildings or garden designs, the reddish-brown surface protection that develops over time fits elegantly and close to nature into the landscape. Under the SEQUOIASTEEL product range you will find different profile cross-sections from stock.

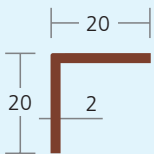
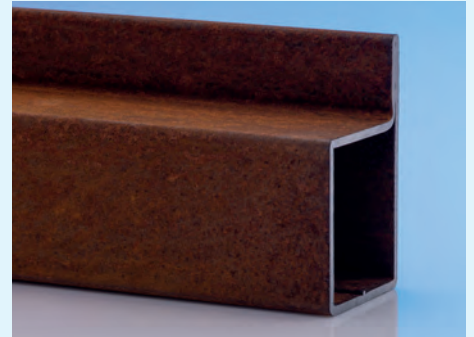
Delivery Program SEQUOIASTEEL



WP 4040/20 L/54301683, Corten



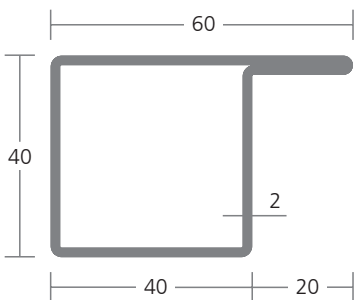
WP 4040/20 T/54301684, Corten



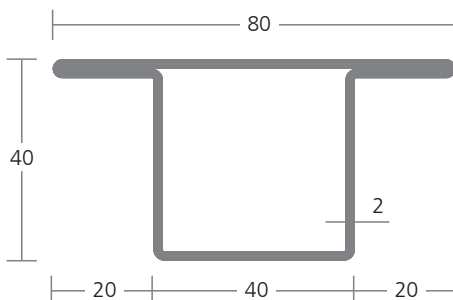
WP 980518, Corten



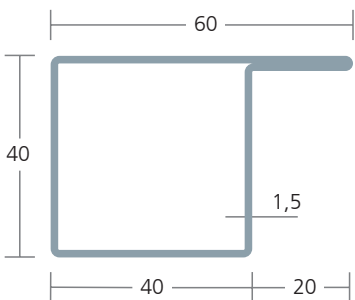
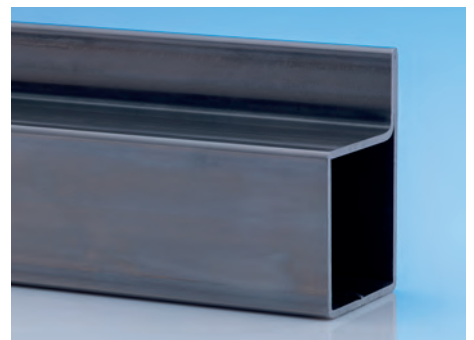
WP PROFILES from Steel and Stainless Steel



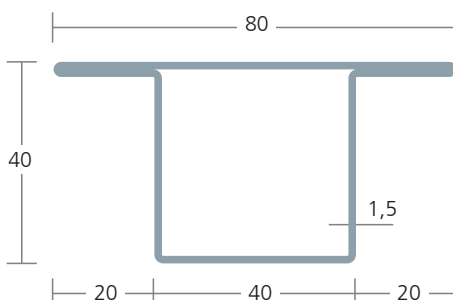
WP 4040/20 L/51101683, Steel



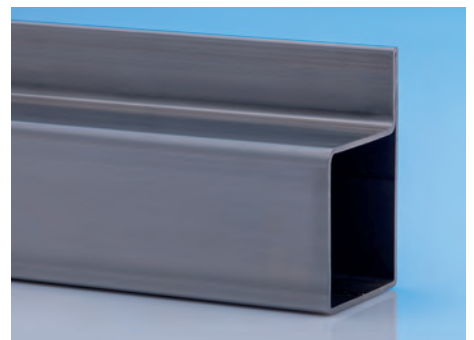
WP 4040/20 T/51101684, Steel



WP 4040/20 L/54101683
Stainless Steel 1.4301



WP 4040/20 T/54101684
Stainless Steel 1.4301



Other dimensions on request.



Partner to the steel trade

Husemann & Hücking Profile GmbH | Zollhausstraße 20 | 58640 Iserlohn, Germany | Phone: +49 23 71-97 84-0 | Fax: +49 23 71-97 84-20
E-Mail: info@HusemannHuecking.de | Internet: www.husemannhuecking.de | www.wpprofile.de | www.kpprofile.de